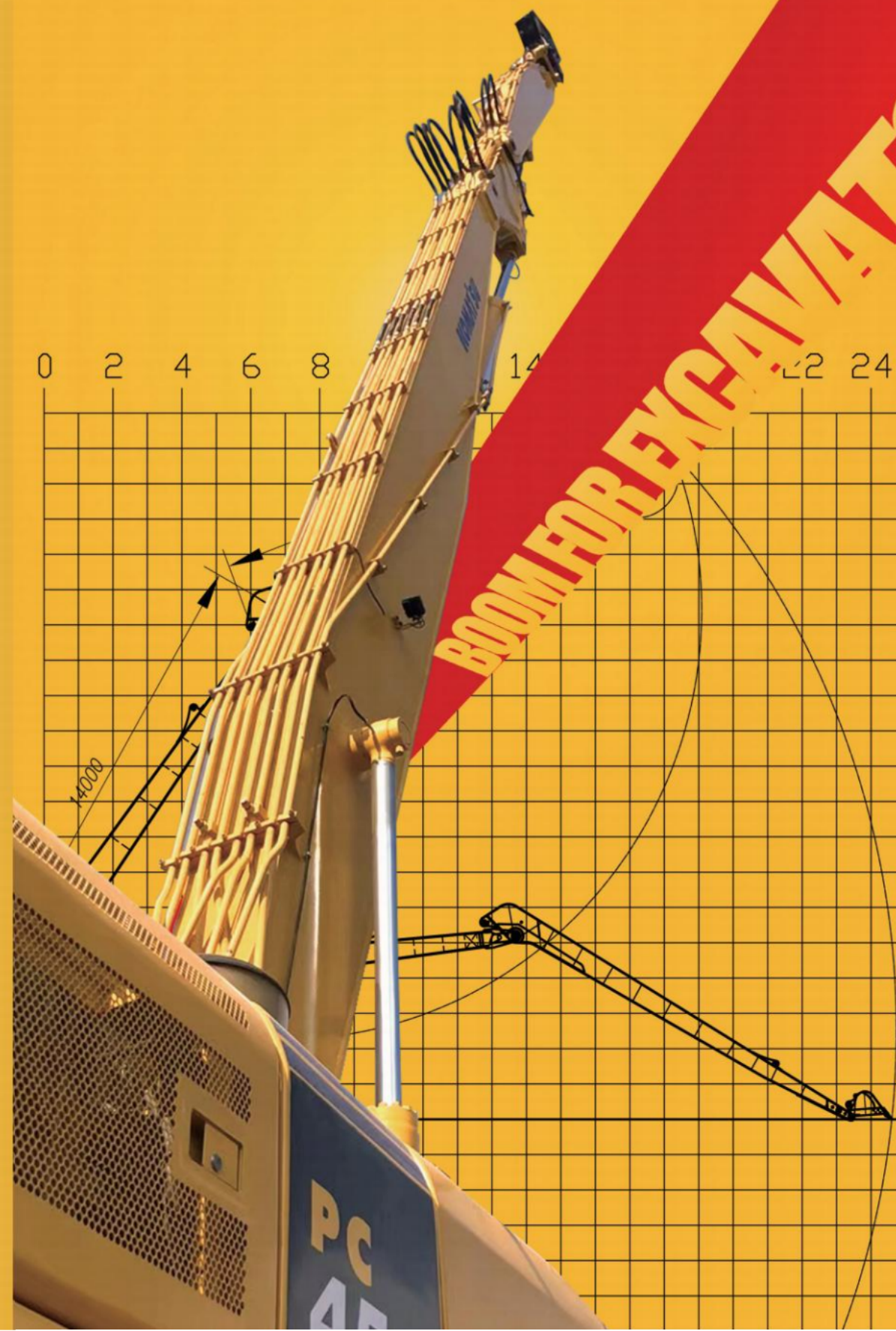


开平市众合机械制造有限公司
KAIPING ZHONGHE MACHINERY MANUFACTURING CO.LTD

LONG REACH

Manufacturer



联系人Attn: 刘楚因 Nina
WhatsApp: 0086 15362217237 / TEL: 0086 7502889907
地址: 广东省开平市翠山湖工业区环翠西路9号
网址: www.excavatorboomarm.com / www.zhjx1688.com
邮箱: whq@excavatorboomarm.com



开平市众合机械制造有限公司座落于美丽的广东省江门开平市翠山湖新区省一级工业园，是一家集研发、生产、销售一体化的企业。公司凭借专业的技术与设计研发，不断开发符合市场需求的高科技产品，始终站在行业的最前端。

公司目前有100多名员工，高级技术人才30名，目前具备年加工生产各类型臂的产量可达600套的规模。公司拥有18000多平方钢结构标准化厂房，大批高精度加工设备，如等离子、数控火焰切割机、先进铣边机、精准落地镗床、立式镗床、大型车床/钻床、大型抛丸处理车间、应力消除车间、大型卷板机、高纯度混合气体供气站等。

凭借多年来工程设备制造经验，自主研发、生产挖掘机加长臂、拉山臂、两段式伸缩臂、滑臂、三段式伸缩臂、三段式拆楼臂、岩石臂、隧道臂、液压振动锤、挖斗、打桩臂、抓木器、抓钢机、松土器等工程机械零配件，广泛应用在风化石破碎、地铁修建、林业砍伐、市政管道工程、河道清淤、楼房拆除、拉森钢板桩打拔、桩基工程、废铁回收等工程行业，产品行销40多个国家和地区。

公司拥有强大的技术研发团队，已获得100多项技术专利，处于行业领先地位。产品采用先进的2D、3D辅助设计，通过多方分析设计出更实用、高品质的产品。

“诚信是众合立足之本，品质是众合生存之道，市场是众合效益之源，创新是众合发展之魂，品牌是众合壮大之神。打造“众合”国际品牌，创新属具产业科技！”

开平市众合机械制造有限公司愿于各界朋友携手共进，共创美好明天！

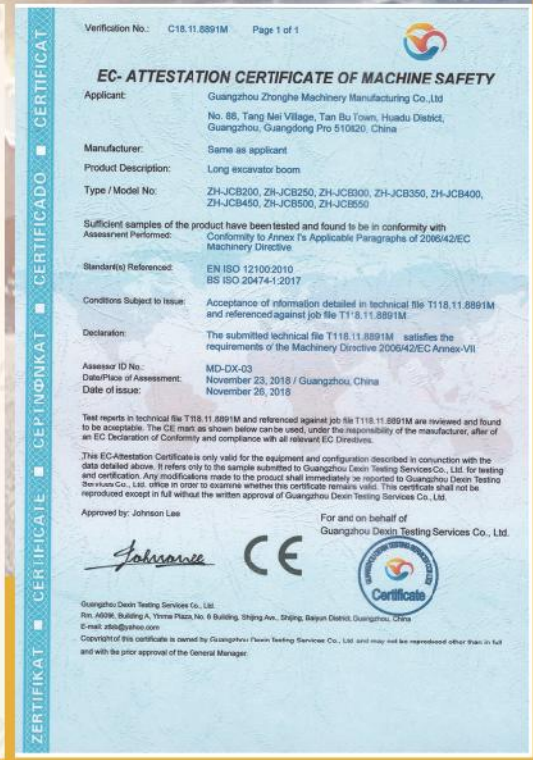
Established in 2018, Kaiping Zhonghe Machinery Manufacturing Co., Ltd. is a combination of manufacturing and trading, specializing in customizing different kinds of excavator boom arms and attachments. Our products, including excavator long reach booms, demolition arms, 2-3 sections telescopic arms, tunnel arms, standard/rock buckets, grapples, and rippers, have been selling well in more than 40 countries and areas.

We are located in Cuishanhu New District, Kaiping City, Jiangmen City, Guangdong Province, China, and we boast a 18000m² steel structure workshop with a large number of high precision processing equipment and a strong and cohesive team of over 100 experienced technical staff, 50 welding workers with over 7 years experience, 30 senior designers, and a high-tech R&D team(10+ years on customization, 100+ technical patents), strict production system (6+ years quality control and cost control) and warm-hearted service team. Our annual output of various types of excavator boom arms can reach up to 600 sets.

Kaiping Zhonghe Machinery Manufacturing Co., Ltd. are committed to providing our customers with products of the highest quality at a moderate price, with quick response and appropriate warranty. We strive to uphold our core principles of "Merit Quality, Sincerity Management, and Customer Satisfaction".

众志成城，合创未来！





CERTIFICATION
PATENT AND CE



CONTENTS

三段伸缩臂 03
Three-section telescopic arm

两段伸缩臂 04
Two-section telescopic arm

滑臂 05
Sliding arm

加长臂 06
Long reach boom arm

打桩臂 07
Pile driving arm

三段拆楼臂 08
High reach demolition boom

两段拆楼臂 09
Two-section demolition boom

隧道臂 10
Tunnel arm

重型岩石臂 11
Rock boom/arm/Ripper assembly

快接+倾斜快接 12/13
Hydraulic quick hitch+Tilt quick hitch

松土器+耙斗 14
Rock ripper+Root rake

抓钢机(2款) 15
Mechanical grapple

抓钢/石/木器(五爪&抱夹) 收集夹 16/17
Hydraulic steel/rock/log grab
Sorting grab

抓钳器 18
Orange peel grapple

铲斗夹+拇指夹 19
clamp bucket+Hydraulic thumb

倾斜斗+清洁斗 20
Tilt bucket

岩石斗+栅格斗 21
Rock bucket Skeleton bucket

贝壳斗+粉碎钳 22
Clamshell bucket+Hydraulic pulverizer

高空液压剪 23
Multi crusher/Multi Shear

单缸大力剪 24
Single cylinder shear

双缸大力剪 25
Double cylinder shear

三角破碎锤 26
Side type hydraulic breaker

直角破碎锤 27
Top type hydraulic breaker

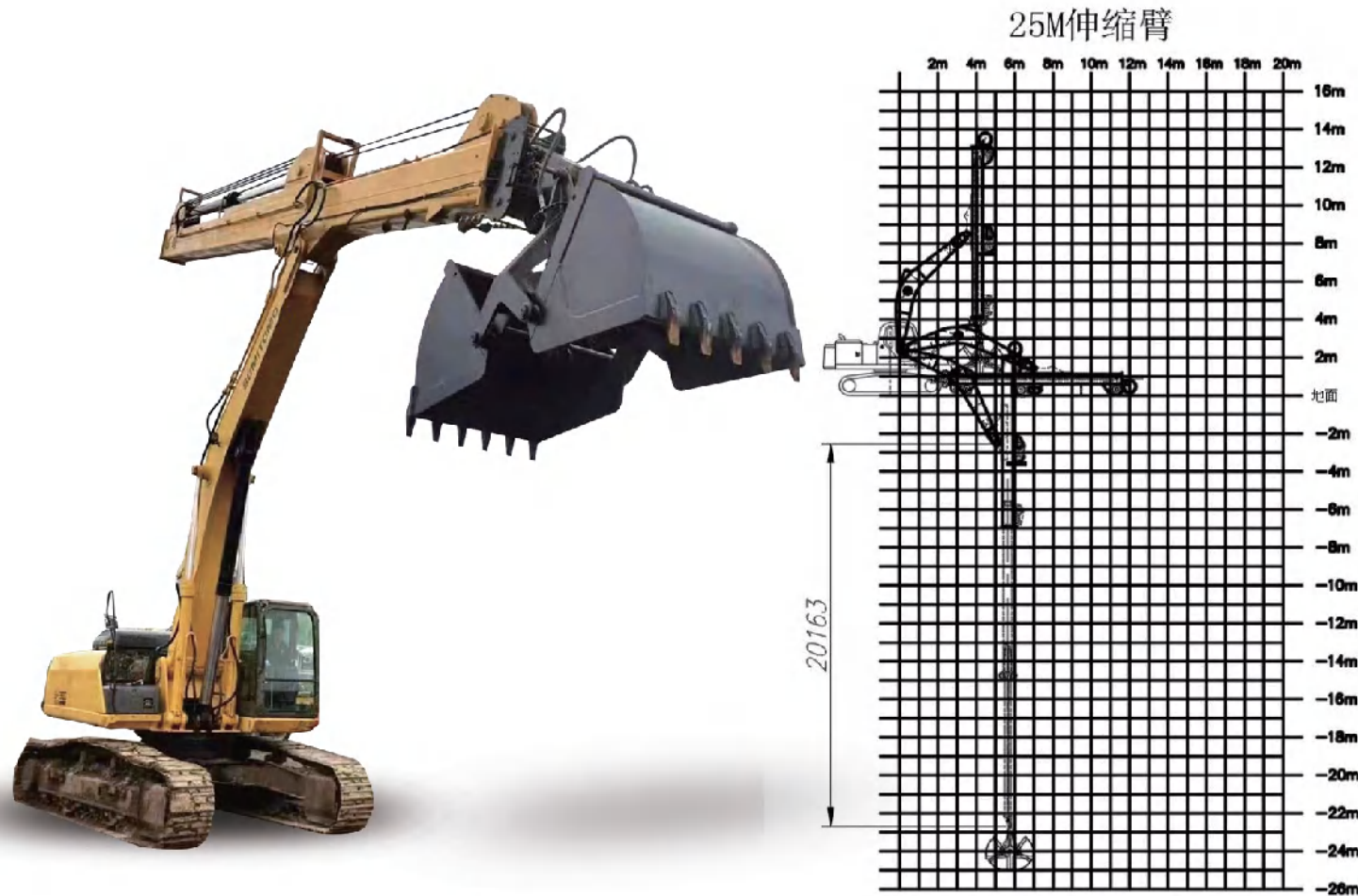
打桩机 28
Pile hammer

CERTIFICATION
EXCELLENT SUPPLIER

三段伸缩臂 (钢丝绳款) Three-section telescopic arm (Iron rope type)

该产品主要由固定体、滑动体、钢丝绳和伸缩油缸组成。通过改变滑动体数量来达到理想的作业半径和垂直挖深范围。一般配合贝型斗使用，行程长，可完成深坑挖掘作业(抓土、抓沙、抓煤等)。

This product mainly consists of a fixed body, sliding body, steel wire rope and a telescopic cylinder. By changing the number of sliding bodies, an ideal working radius and vertical excavation range can be achieved. Generally used in combination with a bucket, it can complete deep pit excavation tasks, such as grabbing soil, sand or coal.



两段伸缩臂 Two-section telescopic arm

该产品主要由固定体、滑动体和伸缩油缸组成。臂筒采用高强度700材质，内置伸缩油管，能够有效避免障碍物对于管路的损伤。它还具有负载伸缩功能，能越过部分障碍直接施工作业，一般携带挖斗使用，可完成深坑挖掘；也可配合贝壳斗用于抓土、抓沙、抓煤等。

This product is mainly composed of a fixed body, a sliding body and an extendable cylinder. The arm is made of high-strength 700 material. Embedded hydraulic hoses can effectively prevent damage caused by obstacles. It also has a load-extension function, which can work over some obstacles directly. Generally, it carries a bucket to complete deep pit excavation as well as be matched with a clamshell bucket to grab soil, sand, coal, etc.



挖机 Excavator(ton)	最大深度 Max Depth(mm)(C)	有效长度 Effective Length(mm)(B)	斗容 Bucket Capacity(cbm)
6-10	10000	7600	0.2-0.3
11--15	14000	10500	0.4-0.6
20-30	16000	12500	0.8-1.5
30-35	20000	15500	1.3-1.66
30-35	25000	20500	1-1.4
40-45	25000	20500	1.8-2.5
40-45	30000	25100	1.4-2

挖机 Excavator (ton)	最大深度 Max Depth (mm)(B)	有效长度 Effective Length (mm)(A)	斗容 Bucket Capacity (cbm)	油缸 Cylinder (ton)	配重 Counterweight (ton)
12-15	10000	8170	0.2	6	0
20-25	12000	8700	0.4	20	0
20-25	14000	10680	0.4	20	2T
30-35	16000	12080	0.6-0.8	22	1T

滑臂 Sliding arm

挖掘机滑臂是由由上滑动臂与下固定臂两部分构成，通过伸缩缸的伸缩来推动上滑动体前后自由伸缩，适用于地铁、顶管、沉井的挖掘。首创的双限位设计，减少滑臂的运行振动，提升油缸的使用寿命；滑动装置由以前的滑轮设计更改为滑块设计，降低故障率，同时采用的耐磨橡胶滑块更加容易更换与维护。

The excavator boom is composed of an upper sliding arm and a lower fixed arm. The upper sliding body is freely extended and retracted by the telescopic cylinder, which is suitable for the excavation of subways and pits. The pioneering double-limit design reduces the running vibration of the boom and improves the service life of the cylinder. The sliding device has been changed from the previous pulley to the sliding block, which reduces the failure rate, and the wear-resistant rubber sliding block is more easily replaced and maintained.



加长臂 Long reach boom arm

两段式加长臂可以不改变原有挖掘机的安装方式和使用性能，却极大提高了作业范围。主要适用于土方工程，深堑挖掘作业，河道清淤作业等。

Two-section extendable arms can increase the range of operations without altering the installation and performance of the original excavator. It is mainly applicable to earth and stone engineering, deep trench excavation, river dredging and other operations.

- 优势：1. 提供深度定制
2. 材料上乘：Q355B、Q690D可选，大臂底座采用石墨铜套，宁波接头等
3. 大小臂夹角可达163°，挖掘半径与高度更大

- Advantages: 1. Customization according to working conditions.
2. Q355B and Q690D materials are optional
3. Adopt a graphite alloy copper sleeve in boom base.
4. The opening angle of boom and arm can reach 163°, allowing for a greater excavating radius and height.



挖机 Excavator (ton)	有效长度 Effective Length (mm)(A)	最大深度 Max Depth (mm)(B)	工作半径 Max Radius (mm)	斗容 Bucket Capacity (cbm)
12-15T	5700	8000	10400	0.2-0.3
20-25T	9150	10000	13000	0.4-0.7
20-25T	11000	12000	15200	0.4-0.7
30-35T	11000	12000	15800	0.6-0.9
40-45T	12100	16000	19200	0.8-1.3

挖机 Excavator (ton)	总长 Total Length (mm)	大臂 Boom (mm)	小臂 Arm (mm)	工作半径 Max Radius (mm)	最大深度 Max Depth (mm)	最大卸载高度 Max Unload Height(mm)	最大挖掘高度 Max Height (mm)	斗容 Bucket Capacity (cbm)
11-15T	13000	7250	5750	11200	9000	7550	9350	0.15-0.3
20-25T	15400	8220	7180	14500	11300	10400	12600	0.4-0.6
20-30T	18000	10000	8000	17300	13000	11800	14000	0.4-0.7
35-40T	20000	11000	9000	19200	14900	12900	15200	0.6-1.2
40-45T	22000	12000	10000	21300	16000	14000	17000	0.5-1
40-50T	24000	13000	11000	23000	17900	15200	18100	0.5-1.1

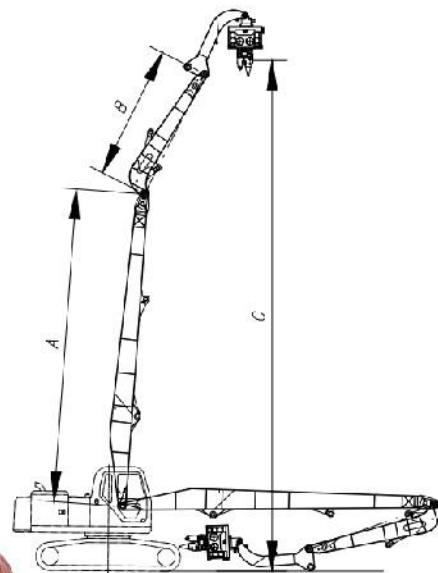
打桩臂 Pile driving arm

打桩臂广泛应用于市政工程、三水(生活污水、工业废水、雨水)分流工程、地铁、路桥等项目。

Pile driving arms are widely used in municipal engineering, three water(domestic sewage, industrial wastewater, rainwater) diversion engineering, subway, road and bridge projects.

产品优势: 大小臂下盖板加厚, 箱体内部采用双向加固筋板设计, 小臂耳坐受力位置采用分段式加厚板材处理, 整体提升了打桩臂的使用寿命。大小臂的打开夹角可以达到160度, 大臂与底座夹角可以达到88度, 提升了整体的打拔力度和工作效率。

Advantages: The thickness of the upper and bottom plate of the boom arm is increased, double reinforcing rib plates are used in the inner body, and the force bearing position of the arm ear is treated with segmented thickened plates, which overall increases the service life of the pile driving arm. The opening angle of the boom and arm can reach 160 degrees, and the angle between the boom and the base can reach 88 degrees, which increases the overall drilling and pulling force and working efficiency.

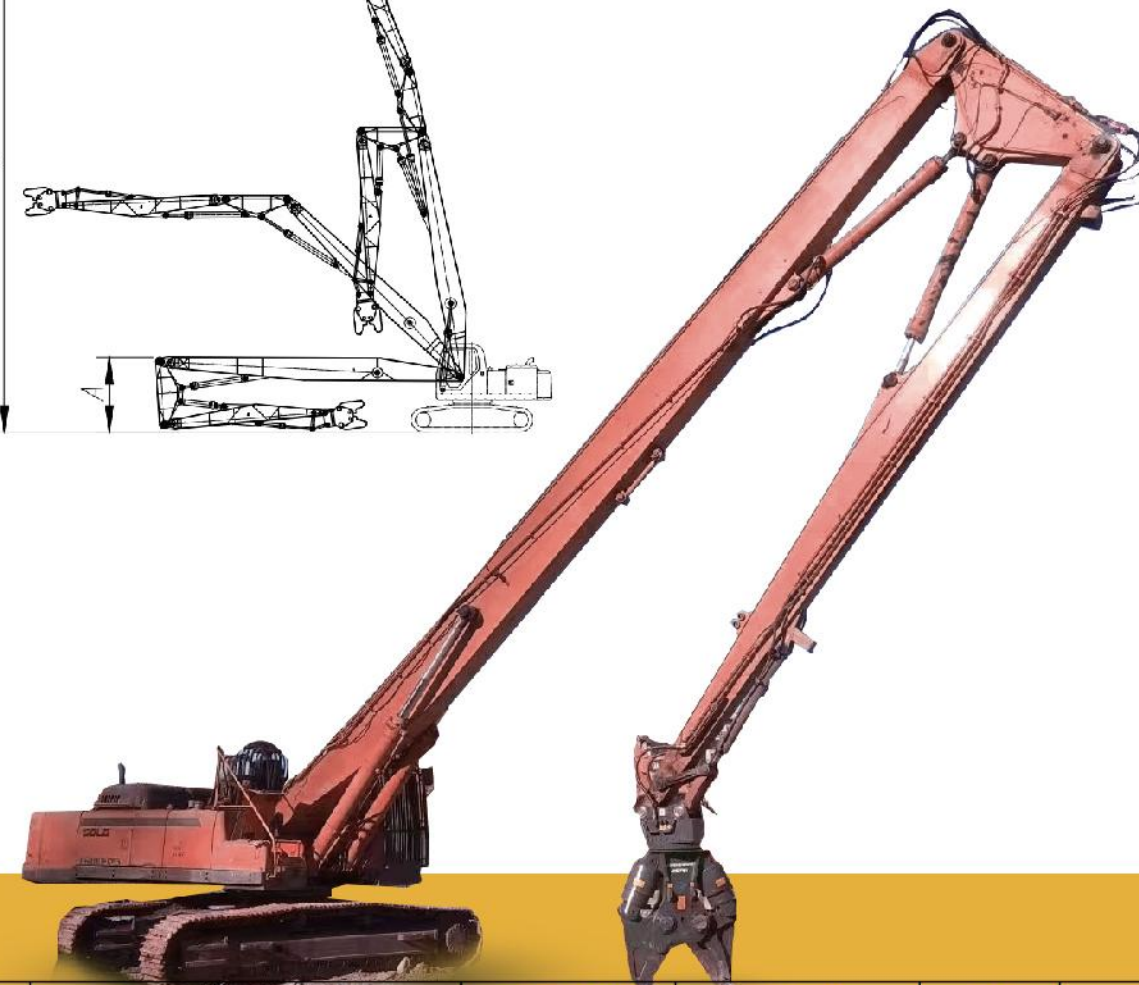
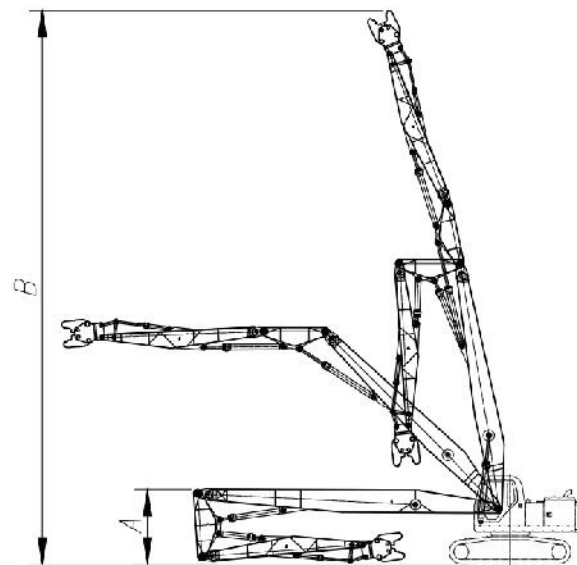


挖机 Excavator (ton)	总长 Total Length (mm)	大臂 Boom (mm)(A)	小臂 Arm (mm)(B)	打桩高度 Piling Height (mm)(C)	配重 Counterweight (ton)
30-36T	13800	10000	3800	15400	3T
30-36T	15000	10500	4500	17100	5T
40-45T	15800	11000	4800	17900	3T
40-45T	16800	11500	5300	18500	5T-6T
45-50T	19000	12500	6500	21000	6T-7T

三段拆楼臂 High reach demolition boom

三段拆楼臂在两段拆楼臂的基础上增加了一节中臂, 增加了作业安全距离, 通常配备破碎锤或者液压剪来进行高层建筑拆除工程。

A high reach demolition boom adds a middle arm to the two-section demolition boom, increasing the working safety distance. It typically equipped with a breaker hammer or a hydraulic shear for high building demolition projects.

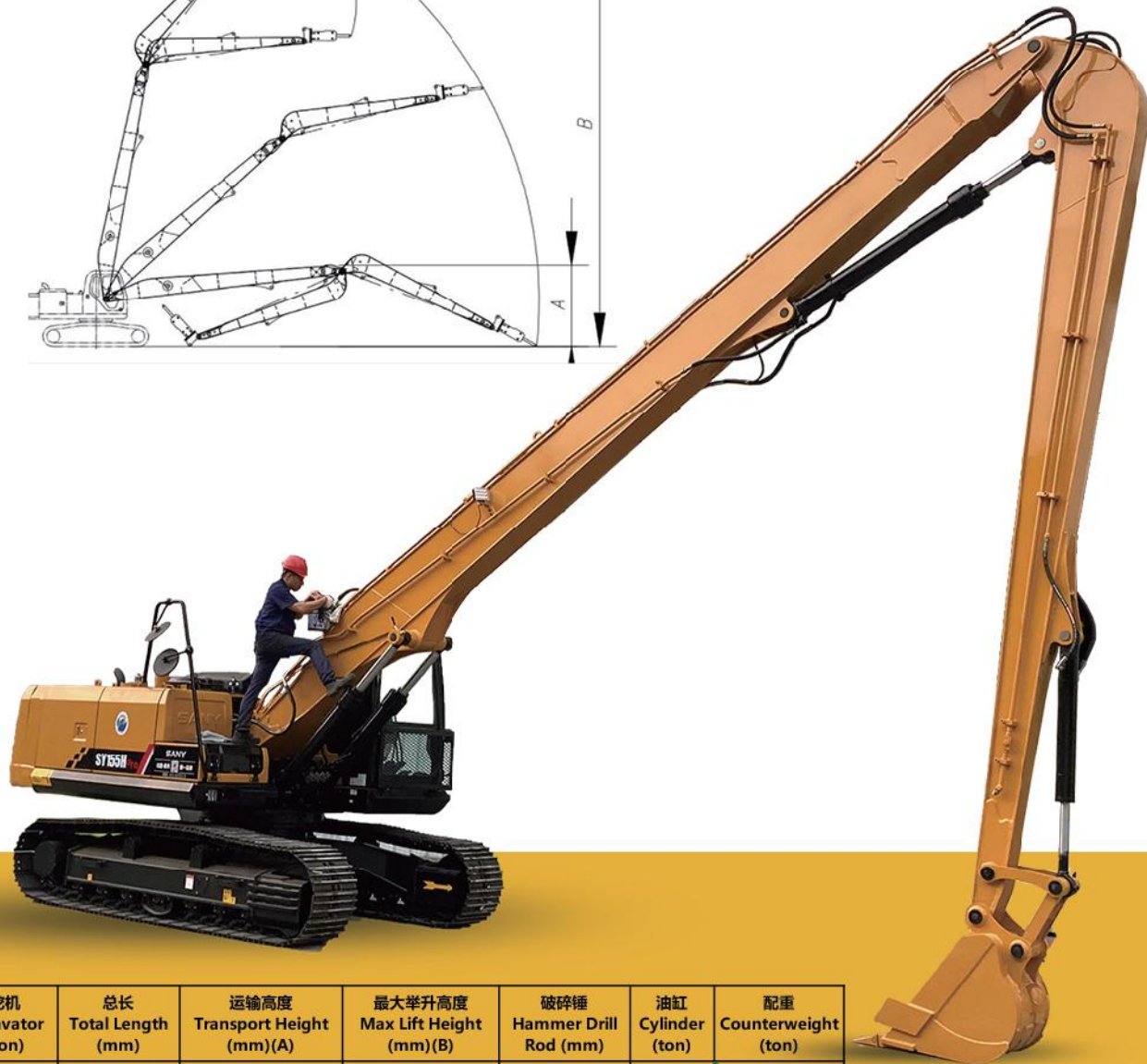
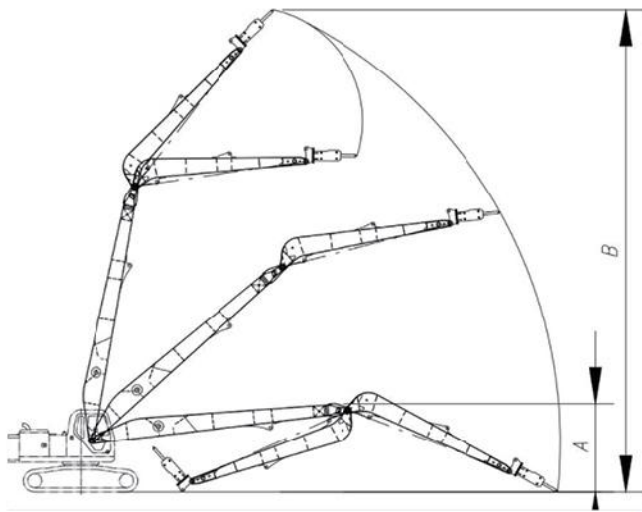


挖机 Excavator (ton)	总长 Total Length (mm)	运输高度 Transport Height (mm)(A)	最大举升高度 Max Lift Height (mm)(B)	液压剪限重 Limit weight of hydraulic shear(kg)	油缸 Cylinder (Ton)	配重 Counterweight (Ton)
25T	16000	3160	14900	2000	20T	4T
30T	18000	3300	17000	2000	20T	4.5T
35T	20000	3300	19000	2000	20T	4.5T
40T	22000	3400	21050	2000	20T	5T
45T	24000	3400	23100	2000	20T	5T

两段拆楼臂 Two-section demolition boom

两段拆楼臂通常配备破碎锤或者液压剪来进行高层建筑拆除工程，它与加长臂的不同在于大臂笔直，以达到更高的作业高度。

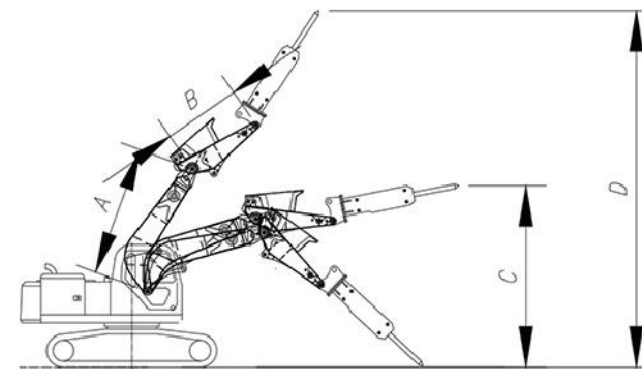
Two-section demolition boom is typically equipped with a demolition hammer or hydraulic shears for high building demolition projects. It differs from the long arm in that the boom is straight, allowing for a greater operating height.



隧道臂 Tunnel arm

隧道臂又称缩短臂，适用于隧道或其他狭隘工况。隧道臂可携带比标准臂大一个型号的破碎锤，增加工作效率。小臂灌入铁砂增重，能够更有力地压住破碎锤减少反弹。下置斗杆油缸，减少油缸的损伤及故障。

Tunnel arm, also known as shorted arm, are suitable for tunneling or other confined work conditions. Tunnel arm can carry a larger model of breaker than the standard arm, increasing work efficiency. The front arm is filled with iron sand, which can hold the breaker more firmly and reduce rebound. The bucket cylinder is placed below to reduce damage.



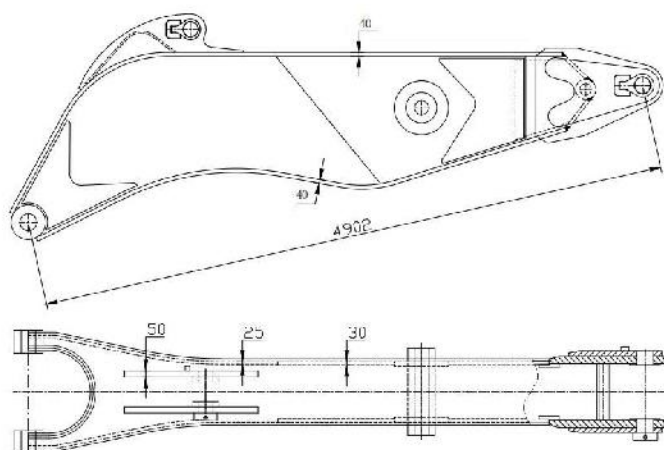
挖机 Excavator (ton)	总长 Total Length (mm)	运输高度 Transport Height (mm)(A)	最大举升高度 Max Lift Height (mm)(B)	破碎锤 Hammer Drill Rod (mm)	油缸 Cylinder (ton)	配重 Counterweight (ton)
6-8	8000	2800	9100	50	6	1
6-8	10000	3000	11000	50	6	1.5-2
10-16	12000	3000	13200	68	12	1-2
20-24	15000	3300	16300	100	20	1-2
25-28	18000	3400	19500	100	20	-
30-36	20000	3400	21600	100	22	2
40-45	22000	3400	23800	100	22	-
45-50	24000	3400	26000	100	22	-

挖机 Excavator (ton)	总长 Total Length (mm)	大臂 Boom (mm)	小臂 Arm (mm)	最大挖掘高度 Max Height (mm)	最大挖掘深度 Max Depth (mm)(D)
20-25T	13000	3200	1900	4500	8500
30-36T	15400	4200	1900	5000	10500
40-45T	18000	4500	1900	5000	11000

重型岩石臂 Rock boom/arm/Ripper assembly

重型岩石臂是一种新型环保产品，将逐步取代老式爆破产品。通过增加大小臂重量以及配套的大功率挖掘机的自身重力，直接凿岩松石，完成一般设备无法力及的施工项目。该设备结构牢固、操作简单、工作效率突出，是挖掘风化石、冻土的好工具。

Heavy rock arm is a new type of environmental friendly product which will gradually replace the old-fashioned blasting products. By increasing the weight of the boom arm and the self-gravity of the excavator, it can directly drill rocks. This equipment is characterized by its strong structure, simple operation and outstanding work efficiency, making it a great tool for mining weathering rocks and frozen soils.



快速连接器 Excavator quick hitch

主要分为两种，一种是普通快接，另一种是倾斜快接。

主要特点：采用Q355B锰板钢材，强度高、耐腐蚀；
销轴采用42CRMO合金钢，强度高、韧性好；
油缸采用珩磨管，进口HALLITE油封，工作周期短、寿命长；
活动虎口卡簧圆盘保护设计，安全销加粗设计，安全可靠。

Features:

1. Adopt Q355B manganese steel plate, which provides high strength and corrosion resistance.
2. The pin is made of 42CrMo alloy steel, which has high strength and good toughness.
3. The cylinder adopts honing tube, imported HALLITE seal, with short working cycle and long service life.
4. The active tiger spring discs protection design and reinforced safety pin ensure safety and reliability.

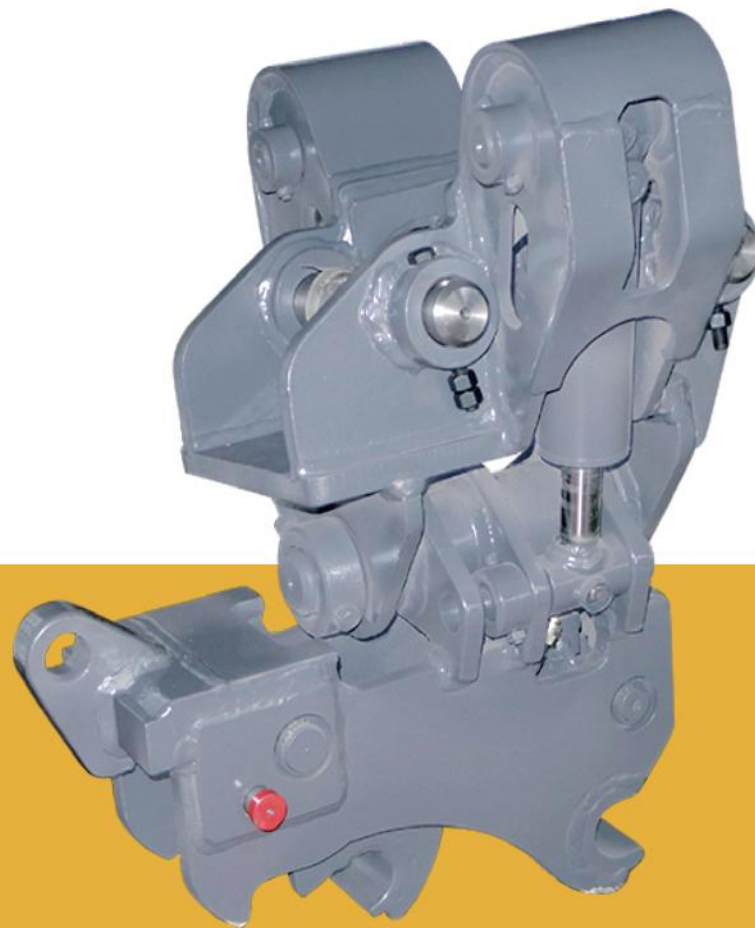
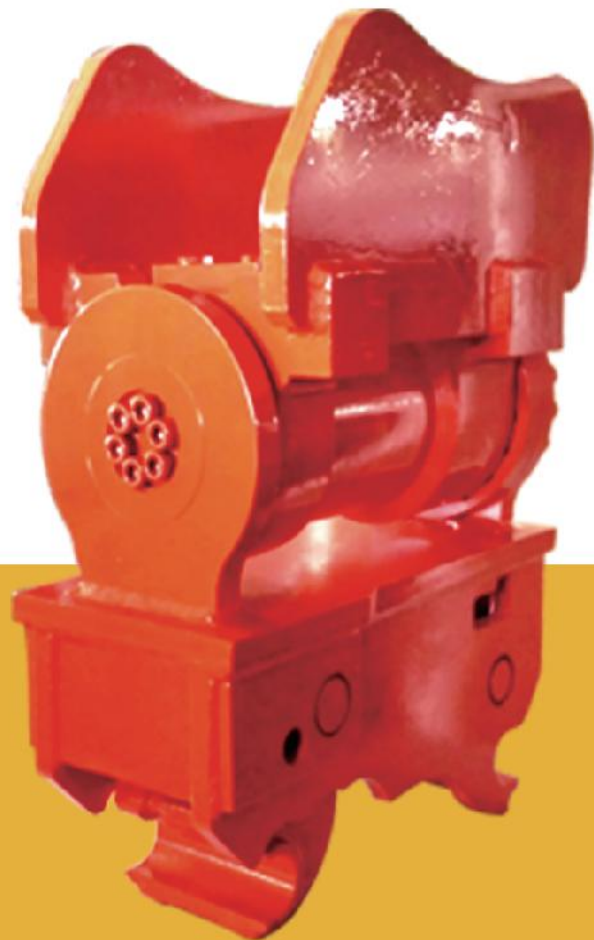
普通快接HYDRAULIC QUICK HITCH

Item/Model 项目/型号	Unit 单位	ZHMINI	ZH45	ZH50/55	ZH60/65	ZH70/80	ZH90	ZH100/110
Suitable Excavator 适用挖掘机	ton	1.5-4	4-7	5-8	9-19	17-23	23-30	33-45
Pin to Pin Center Distance 轴中心距	mm	80-150	230-270	290-360	380-420	460-480	473-540	550-620
Forearm Open Width 小臂开档	mm	80-140	155-170	180-200	232-315	306-340	375-411	416-469
Retractable Distance of Oil Cylinder 油缸伸缩距离	mm	170-206	205-275	340-450	340-486	256-390	413-590	520-590
Top to Bottom Pin Distance 上下轴之间距离	mm	159	195	195	220	275	300	360
Pin Diameter 轴直径	mm	25-40	45-50	50-55	60-70	70-80	80-90	90-120
Working Pressure 工作压力	bar	32-40	32-40	32-40	32-40	32-40	32-40	32-40
Working Flow 工作流量	lpm	10-20	10-20	10-20	10-20	10-20	10-20	10-20



倾斜快接TILT QUICK HITCH

Item/Model 项目/型号	Unit 单位	ZHTH06	ZHTH08
Suitable Excavator 适用挖掘机	ton	9-18	16-25
Pin to Pin Center Distance 轴中心距	mm	390	465
Pin Diameter 销直径	mm	65	80
Rotation Angle 旋转角度	degrees	90	90
Forearm Open Width 小臂开档	mm	290	360
Cylinder Rotation Angle 气缸旋转角度	degrees	+/-45	+/-45
Working Pressure 工作压力	bar	200-220	200-220



松土器
Rock ripper

松土器分为单齿与多齿，它的切入能力强，挖掘力集中，斗齿更换方便，同时有效保护松土器主体，延长使用寿命，能够有效的挖掘硬土、风化岩、碎石，方便挖斗的装卸。

Excavator rock ripper are divided into single-toothed and multi-toothed. It has concentrated digging power, with easy bucket replacement and effective protection of the main body, extending its service life. It can effectively dig hard earth, weathering rock and gravel.

Model (ton) 型号	Weight(kgs) 重量	Thickness(mm) 厚度
3-5	260	50
6-10	380	60
11-16	450	80
17-20	510	100
21-24	600	100
25-30	700	100
31-35	820	100
36-40	870	100
41-45	920	100
46-50	970	100



耙斗
Root rake

耙斗一般较宽，有5-8个齿，可根据工况选择是否带斗齿。主要适用于矿山工程、水利工程的清理作业。

Rakes usually have a wide frame and 5-8 teeth, which can be chosen with or without teeth depending on the working conditions. It is mainly used for cleaning up in mining and water conservancy projects.

Excavator Model (ton) 挖掘机型号	G.W. (kg) 总重	Hydraulic Oil Flow Rate (L/min) 液压油流量	Work Pressure (bar) 工作压力	Tooth Quantity 齿数量
6	480	10-20	30-210	5
12	530	10-20	30-210	6
20	720	10-20	30-210	7
30	800	10-20	30-210	7
40	950	10-20	30-210	8

机械抓钢器 (2款) Mechanical grapple

- 主板增加筋板加固，齿尖采用耐磨块，延长使用寿命；
- 加厚45#钢管，承受更大的作用力；
- 置防滑块增加工作效率。
- The main board is reinforced with many ribs, and the teeth are made of wear-resistant blocks to extend its service life.
- Adopt robust 45# Cr pin, bearing greater forces.
- Anti-skid blocks are built-in to increase efficiency.

A款要用H连杆，受力均匀。

Type A should use H connecting rod, evenly stressed

B款无需H连杆，直接连接铲斗油缸，力量大。

B type does not need the H connecting rod, and is directly connected to the bucket cylinder, which has a large force.



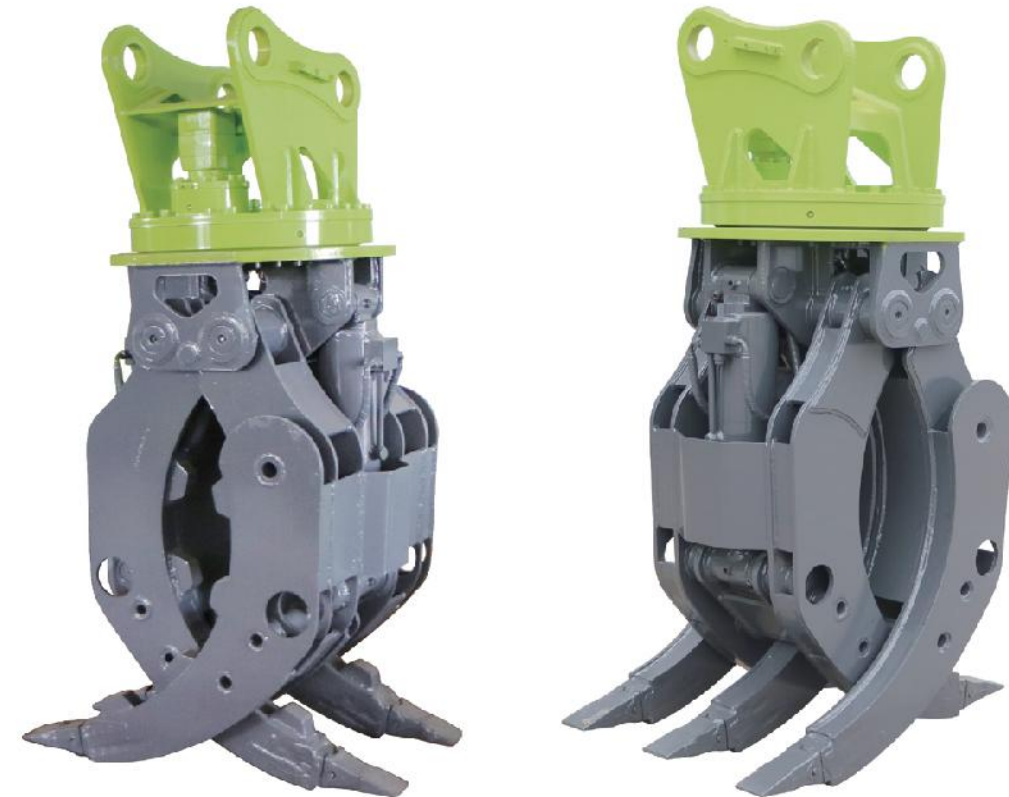
抓钢/石/木器 Hydraulic steel/rock/log grab

适用对象: 简易松土、清理杂物、装卸等作业。

主要特点: 采用NM400钢材，质量轻、耐磨；销轴采用42CRM0合金钢，内置油道，强度高、韧性好；采用瑞士进口旋转马达；使用立式铰车马达旋转系统，360°旋转，具有铰车制动功能；油缸采用珩磨管，进口HALLITE油封，工作周期短、寿命长；抓齿采用锰钼合金材料，经久耐用。

Applicable objects: simple soil loosening, cleaning debris, loading and unloading.

Main features: NM400 steel, light weight and wear-resistant; The pin is made of 42CrMo alloy steel with built-in oil passage, high strength and good toughness; Rotary motor imported from Switzerland; Use vertical shear motor rotation system, 360° rotation, with car brake function; The oil cylinder adopts honing tube, imported HALLITE oil seal, short working cycle and long life. The teeth are made of manganese molybdenum alloy material, which is durable.



Excavator(ton) 挖掘机	Finger(s) 指数	Volumn(cbm) 体积	Weight(kgs) 重量
10-12T	4	0.5	820
15-18T	4	0.7	1000
20-24T	5	1	1200
25-28T	5	1.2	1500
30-35T	5	1.5	2000
36-40T	5	1.8	2600
40-45T	5	2	3200

Item/Model 项目/型号	Suitable Excavator (ton) 适合的挖掘机	Weight(kg) 重量	Max Jaw Opening (mm) 最大钳口张开度	Working Pressure (bar) 工作压力	Set Up Pressure (bar) 设定压力	Working Flow (lpm) 工作流量	Cylinder Volume (Ton) 气缸容积
JSSR02A	4-6	360	1200	110-140	170	30-55	4.0*2
JSSR04A	7-11	440	1400	120-160	180	50-100	4.5*2
JSSR06A	12-18	900	1600	150-170	190	90-110	8.0*2
JSSR08A	12-16	1850	2100	160-180	200	100-140	9.7*2
JSSR10A	17-23	2130	2500	160-180	210	130-170	12*2
JSSR14A	24-30	2600	2800	180-200	250	200-250	12*2

抓钢/石器B款 Hydraulic Steel/Rock Grab,B

单缸连杆设计,质地轻.抓取灵便。

Single-cylinder connecting rod design. light Nexture and conwerient gipping.

Item/Model 项目/型号	Suitable Excavator (ton) 项目/型号	Weight (kg) 重量	L (mm) 长度	H (mm) 高度	W (mm) 宽度	W1 (mm) 宽1	R (mm) 半径	Working Pressure (bar) 工作压力	Set Up Pressure (bar) 设定压力	Working Flow (lpm) 工作流量
JSSR06B	12-16	1015	1700	2050	560	324	1230	150-170	190	90-110
JSSR08B	17-23	1750	2100	2400	720	420	1430	160-180	200	100-140



收集夹 Sorting grab

适用对象:各种大型、散装物料装卸或搬运作业。

主要特点:采用Q345锰板钢材,强度高、耐腐蚀;销轴采用42CRMO合金钢,内置油道,强度高、韧性好;

采用瑞士进口旋转马达;油缸采用珩磨管,进口HALLITE油封,工作周期短、寿命长。

Applicable object: all kinds of large-scale. bulk materials loading and unloading or handling operations.

Main features: using Q345 manganese plate steel, high strength and corrosion resistance;The pin is made of 42CrMo alloy steel, with builtin oil passage, high strength and good toughness.Rotary motor imported from Switzerland;The oil cylinder adopts honing tube. imported HALLITE oil seal, short working cycle and long life.

抓钳器/莲花抓 Orange peel grapple

适用对象:散装石料、钢材、木料等物料的装卸、搬运作业。

主要特点:采用NM500钢材,质量轻、耐磨;销轴采用42CRMO合金钢,内置油道强度高、韧性好;采用瑞士进口旋转马达,使用立式铰车马达旋转系统,360°旋转,具有铰车制动功能;油缸采用珩磨管,进口HALLITE油封,工作周期短、寿命长。

loading. unloading. and handling o buk stone. steel. Wood and othee materials.

Main feabures: NM500 shed, light weight and wearesistant;The pin is made of 42CrMo aloy steel. with builtHn ail passage, high strength and good Noughness.Rotary molor imported from Swizerland, venical cart motor rotation System, 360°rota- tin. cart brake function;The ail cylinder atopts honing tube, imorted HALLITE al seal. short working cycle and long lfe.



Item/Model 项目/型号	Suitable Excavator(ton) 适用挖掘机	Weight(kg) 重量	Max Jaw Opening(mm) 开口尺寸	Working Pressure(bar) 工作压力	Set Up Pressure(bar) 设定压力	Working Flow(lpm) 工作流量	Cylinder volume(ton) 油缸容量
JSSR02A	4-6	360	1200	110-140	170	30-55	4.0*2
JSSR04A	7-11	440	1400	120-160	180	50-100	4.5*2
JSSR06A	12-16	900	1600	150-170	190	90-110	8.0*2
JSSR08A	17-23	1850	2100	160-180	200	100-140	9.7*2
JSSR10A	24-30	2130	2500	160-180	210	130-170	12*2
JSSR14A	31-40	2600	2800	180-200	250	200-250	12*2

Item/Model	Suitable Excavator (ton)	Weight (kg)	Operating Capacity (m ³)	A (mm)	B (mm)	C (mm)	H (mm)	H1 (mm)	Driving Pressure (bar)	Driving Flow (lpm)	Rotating Motor Set Up Pressure (bar)	Rotating Motor Motor Flow (lpm)	Rotating Motor Frequency (r/min)
JSSG04	6-12	470	0.60	1730	960	595	1350	1570	300	180-230	120	30	16-18
JSSG06	12-18	1050	0.60	2175	1200	745	1700	1970	300	180-230	120	30	16-18
JSSG08	18-25	1370	0.80	2700	1500	935	2100	2400	300	200-250	120	30	16-18
JSSG10	25-32	1700	1.00	3300	1880	1160	2650	3080	300	250-300	120	30	16-18

拇指夹 Hydraulic thumb

适用对象:物料抓取辅助作业。

主要特点:采用Q345锰板钢材,强度高、耐腐蚀;
油缸采用珩磨管,进口HALLITE油封,工作周期短、寿命长。

Applicable object: BuXiliary operation for material grabbing.
Main features: using Q345 manganese plate steel, high strength and corrosion resistance;
The oil cylinder adopts honing tube, imported HALITE oil seal, short working cycle and long life.



Item/Model 项目/型号	Suitable Excavator (ton) 适用挖掘机	Length(mm) 长度	Width(mm) 宽度	Height(mm) 高度	Working Pressure(bar) 工作压力	Working Flow(lpm) 工作流量
JSPT02	4-6	500-800	300-600	600-300	110-140	35-55
JSPT04	7-11	800-1300	400-800	200-280	120-160	50-100
JSPT06	12-16	900-1500	500-1000	250-380	150-170	90-110
JSPT08	17-23	1000-2000	600-130	260-400	160-180	100-140

铲斗夹 clamp bucket

该产品主要由固定体、滑动体和伸缩油缸组成。臂筒采用高强度700材质,内置伸缩油管,能够有效避免障碍物对于管路的损伤。它也具有负载伸缩功能,能越过部分障碍直接施工作业,一般携带挖斗使用,可完成深坑挖掘;也可配合贝壳斗用于抓土、抓沙、抓煤等。

This product is mainly composed of a fixed body, a sliding body and an extendable cylinder. The arm is made of high-strength 700 material. Embedded hydraulic hoses can effectively prevent damage caused by obstacles. It also has a load-extension function, which can work over some obstacles directly. Generally, it carries a bucket to complete deep pit excavation as well as be matched with a clamshell bucket to grab soil, sand, coal, etc.

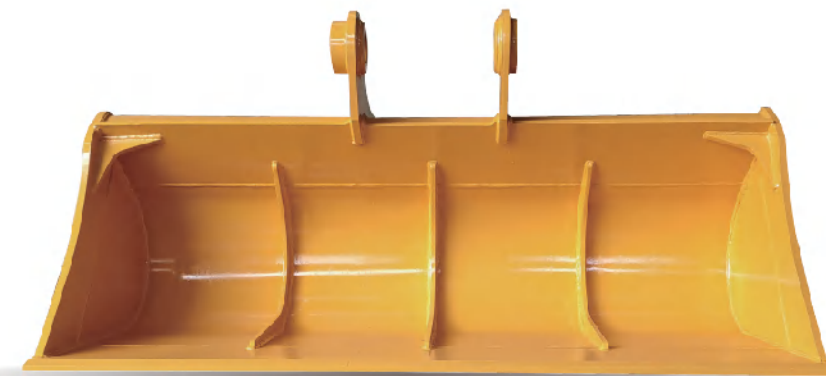


Item/Model 项目/型号	Suitable Excavator (ton) 挖掘机型号	Weight(kg) 重量	Max Jaw Opening (mm) 开口尺寸	Working Pressure (bar) 工作压力	Set Up Pressure(bar) 设定压力	Working Flow(lpm) 工作流量	Cylinder Volume(Ton) 油缸容量
JSCB02	2-3	180	818	100-130	150	25-40	4.0
JSCB03	4-6	360	1150	110-140	170	30-55	5.4
JSCB04	7-11	520	1380	120-160	180	50-100	5.4
JSCB06	12-16	840	1550	150-170	190	90-110	8.2
JSCB08	17-23	1430	2220	160-180	200	100-140	10.0
JSCB10	24-30	1860	2235	160-180	210	130-170	12.0

清洁斗/沟渠斗 Ditch cleaning bucket

该产品具有宽大的铲面,可以轻松清理垃圾,挖掘沟渠、也可用于平整沟渠底部,从而更容易铺设管道。

This product has a wide scoop, making it easy to clean up rubbish, dig trenches and even level the bottom of trenches for easier pipe laying.

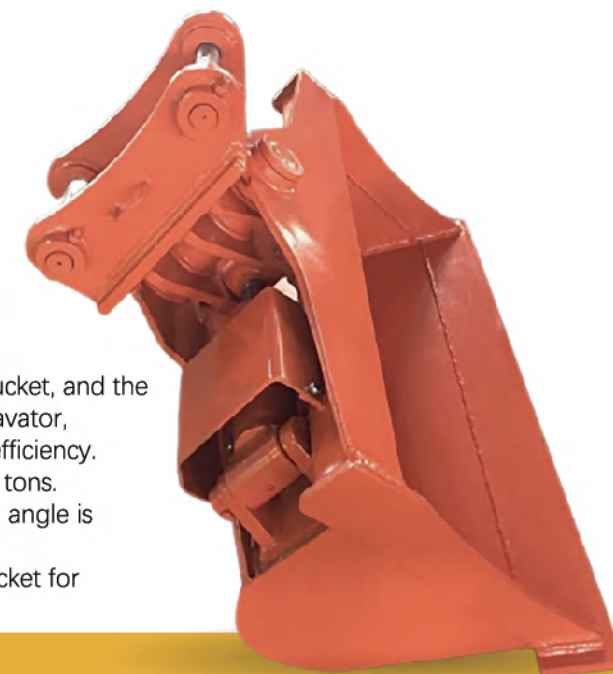


Excavator Model(ton) 挖掘机型号	G.W.(kg) 总重	Hydraulic Oil Flow Rate(L/min) 液压油流量	Work Pressure(bar) 工作压力	Bucket Capacity(cbm) 挖斗容量
6	450	10-20	30-210	0.4
12	750	10-20	30-210	0.6
20	950	10-20	30-210	0.8
30	1200	10-20	30-210	1.4

倾斜斗 Sliding arm

- ◆可倾动铲斗可改变挖掘机铲斗的倾角,无需改变挖掘机位置即可进行作业,减少机械磨损和油耗,提高工作效率。
- ◆采用高强度材料,适用于4~30吨各种机型。
- ◆倾斜角度为0-45度,如需更大倾斜角度可定制。
- ◆20吨位以上的挖掘机倾斜斗为双油缸设计,20吨位以下的则为单油缸设计。

- ◆The tilting bucket can change the inclination angle of the excavator bucket, and the operation can be carried out without changing the position of the excavator, reducing mechanical wear and oil consumption, and improving work efficiency.
- ◆Using high-strength materials, it is suitable for various models of 4~30 tons.
- ◆The tilting angle is 0-45 degrees, it can be customized if a larger tilting angle is needed.
- ◆Double cylinder tilt bucket for 20+ ton excavator, single cylinder tilt bucket for below 20 tons excavator.



Excavator Model(ton) 挖掘机型号	G.W.(kg) 总重	Hydraulic Oil Flow Rate(L/min) 液压油流量	Work Pressure(bar) 工作压力	Bucket Capacity(cbm) 挖斗容量
6	450	10-20	30-210	0.4
12	750	10-20	30-210	0.6
20	950	10-20	30-210	0.8
30	1200	10-20	30-210	1.4

岩石斗 Rock Bucket

我司可根据客户要求和工况，利用2D、3D电脑软件设计和模拟，解决应力问题，生产各类品牌挖掘机的挖斗。材料Q355B、NM400、HARDOX500可选，挖斗的宽度、深度、开口角度、颜色等均可定制，规格从0.1M³-12M³不等。

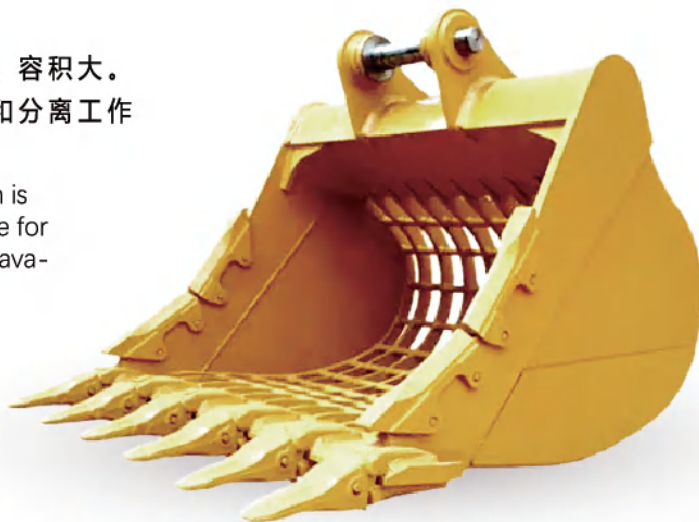
Our company can design and simulate by using 2D and 3D computer software according to the customer's requirements and working conditions to solve the stress problem and produce buckets of various brands of excavator. Materials such as Q355B, NM400, and Hardox500 are available, and the width, depth, opening angle, color, etc. of the bucket can be customized, with specifications ranging from 0.1m³-12m³.



栅格斗 Skeleton bucket

设计上与标准斗相似，但其底部为筛网状，底部深，容积大。适用于分离较松散的土和杂质，清理河道等，挖掘和分离工作一次性完成。

The design is similar to the standard bucket, but the bottom is screen-shaped, deep bottom and large volume. It is suitable for separating loose soil and impurities, cleaning rivers, etc. Excavation and separation are done in one go.



贝壳斗 Clamshell bucket

贝壳斗开口向下，容量大，允许一次装载较大容量的物料，一般用于装卸肥料、沙土等。

The clamshell bucket opens downward and has a large capacity, which allows a large amount of material to be loaded at one time. It is generally used for loading and unloading fertilizers, sand, other materials.

Item/Model 项目/型号	Suitable Excavator (ton) 适用挖掘机	Weight(kg) 重量	Opening(mm) 开口	Working Pressure (bar) 工作压力	Set Up Pressure (bar) 设定压力	Working Flow (lpm) 工作流量
JSCS04	7-11	800	1000	180	250	190
JSCS06	12-18	1200	1500	210	290	210
JSCS08	18-25	2000	2200	250	320	220
JSCS10	26-35	2300	2300	250	340	240



粉碎钳 Hydraulic pulverizer

适用对象:分离钢筋混凝土等破拆作业。

主要特点:采用瑞典HARDOX 500钢材,质量轻.耐磨;销轴采用42CRMO合金钢,强度高、韧性好;旋转式采用瑞士进口旋转马达;油缸采用珩磨管,进口HALLITE油封,寿命长;刀块采用耐磨合金钢,抗高温、耐变形。

Applicable objects: Demolition operations such as separating reinforced concrete. Main features: Made of Swedish Hardox 500 steel, lightweight and wear-resistant. The pin is made of 42CrMo alloy steel with high strength and toughness. Rotary type uses Swiss imported rotary motor; Oil cylinder adopts honing tube, imported HALLITE oil seal, long life; The knife block is made of wear-resistant alloy steel, which is resistant to high temperature and deformation.



Excavator Model(ton) 挖斗型号	G.W.(kg) 总重	Hydraulic Oil Flow Rate(L/min) 液压油流量	Work Pressure(bar) 工作压力	Bucket Capacity(cbm) 挖斗容量
6	450	10-20	30-210	0.4
12	750	10-20	30-210	0.6
20	950	10-20	30-210	0.8
30	1200	10-20	30-210	1.4

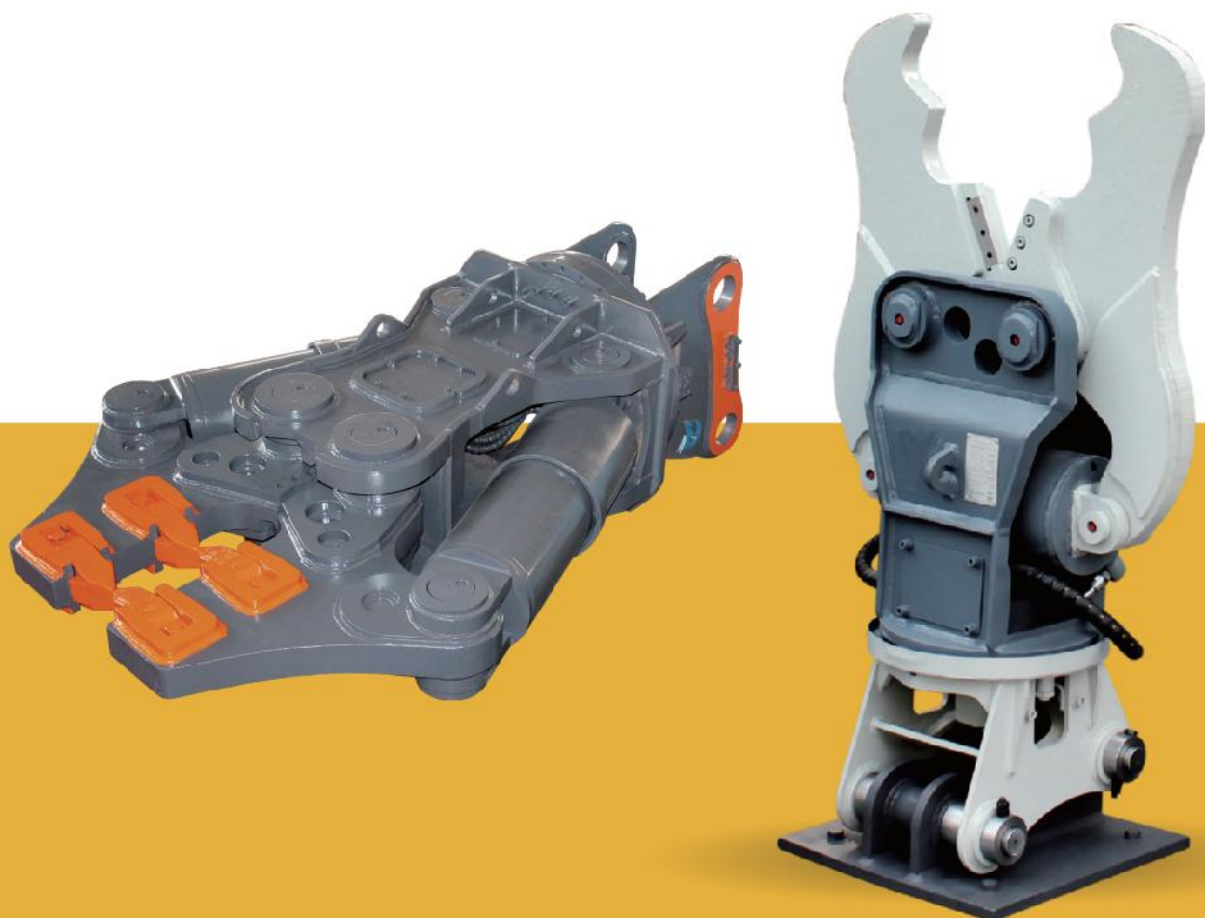
Item/Model 项目型号	Suitable Excavator (ton) 适用挖掘机	Weight(kg) 重量	Opening(mm) 开口	Blade Length (mm) 刀片长度	Height(mm) 高度	Width(mm) 宽度	Crushing Force (ton) 粉碎力	Rated Pressure (bar) 额定压力	Rated Flow (lpm) 额定流量	Working Pressure (bar) 工作压力	Rotating Motor Pressure(bar) 旋转马达压力	Rotating Motor Flow(lpm) 旋转马达流量
JSH80M	4-8	400	410	130	1310	388	40	260	140-160	240	—	—
JSH180D	9-16	800	570	130	1520	600	65	280	180-200	260	—	—
JSH280D	18-30	1600	810	230	2320	700	95	300	220-260	280	—	—
JSH380D	32-40	2100	910	230	2420	800	120	320	220-280	300	—	—
JSH280C	18-30	1600	880	170	2440	500	95	300	220-260	280	—	—
JSH180X	9-16	1100	570	130	1820	600	65	280	180-200	260	90	30-50
JSH280X	18-30	1900	810	230	2650	700	95	300	220-260	280	120	40-60
JSH380X	32-40	2500	910	230	2760	800	120	320	220-280	300	120	45-70
JSH280E	18-30	1600	880	170	2440	500	95	300	220-260	280	120	40-60

高空液压剪 Multi crusher/Multi Shear

适用对象:楼房拆除、钢材剪切等破碎、剪切作业。主要特点:采用瑞典HARDOX 500钢材,质量轻、耐磨;销轴采用42CRMO合金钢,内置油道,强度高、韧性好;旋转马达采用瑞士进口马达,全角度旋转;油缸采用珩磨管,进口HALLITE油封,工作周期短、寿命长;刀块采用耐磨合金钢,抗高温、耐变形。

Applicable objects: crushing and shearing operations such as building demolition and steel shearing. Main features: Made of Swedish Hardox 500 steel, lightweight and wear-resistant; The pin is made of 42CrMo alloy steel, with built-in oil passage, high strength and good toughness; Rotary motor adopts Swiss imported motor, full-angle rotation; The oil cylinder adopts honing tube, imported HALLITE oil seal, short working cycle and long life; The knife block is made of wear-resistant alloy steel, which is resistant to high temperature and deformation.

Item/Model 项目/型号	Suitable Excavator (ton) 适用挖掘机	Weight(kg) 重量	Opening (mm) 开口	Blade Length (mm) 刀片长度	Height (mm) 高度	Width(mm) 宽度	Crushing Force (ton) 粉碎力	Cutting Force (ton) 切削力	Driving Pressure (bar) 驱动压力	Driving Flow (lpm) 驱动流量	Cycle Time Open(sec) 循环时间打开	Cycle Time Close(sec) 循环时间关闭
JSMS10	0.8-1.5	135	290	100	1000	660	20	22	180	—	—	—
JSMS20	1.5-3.0	210	350	100	1055	690	22.5	26	210	—	—	—
JSMS40	4-9	400	440	120	1330	770	50	55	260	—	—	—
JS80V	6-10	360	390	100	1280	850	20	50	250	180	2.1	2.7
JS180V	12-18	1280	650	150	1890	1285	80	165	300	230	2.9	2.7
JS280V	20-30	1600	730	180	2010	1350	100	210	300	240	2.9	2.7
JS380V	26-35	2000	810	180	2120	1500	120	260	300	240	2.9	2.7



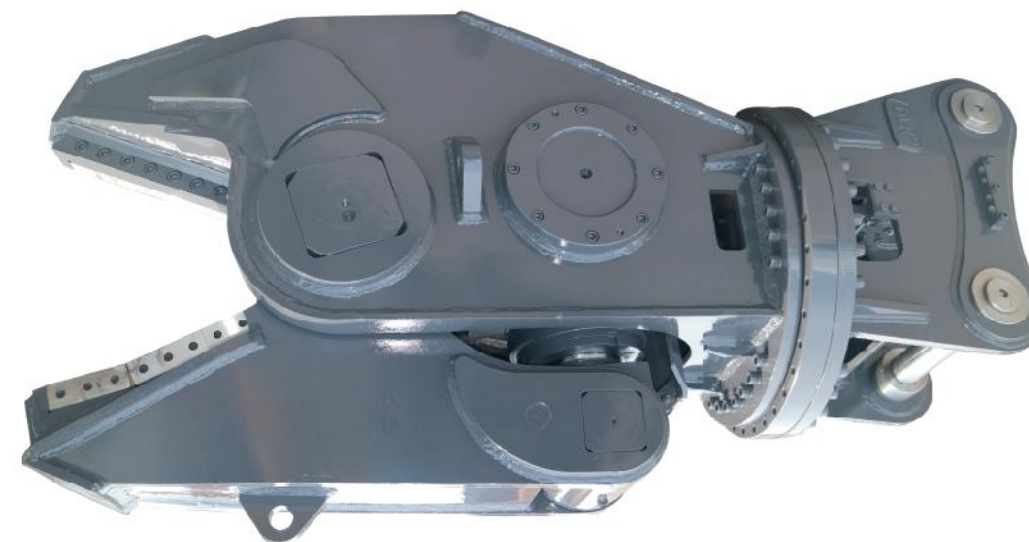
单缸大力剪 Single cylinder shear

适用对象:摩托车、面包车、农用机具、轮胎胎分离等交通工具的解体,废钢料进行压缩减容,其他楼房拆除、钢材剪切等破碎、剪切作业。

主要特点:采用瑞典HARDOX 500钢材,质量轻,耐磨;销轴采用42CRMO合金钢,内置油道,强度高、韧性好;旋转马达采用瑞士进口马达,全角度旋转;油缸采用珩磨管,进口NOK油封,工作周期短、寿命长;刀块采用耐磨合金钢,抗高温、耐变形。

Applicable objects: the disintegration of vehicles such as motorcycles, vans, agricultural machinery and tire separation, the compression and volume reduction of scrap steel, the demolition of other buildings, steel shearing and other crushing and cutting operations.

Main features: using Swedish Hardox 500 steel, light weight and wear-resistant; The pin shaft is made of 42CrMo alloy steel with built-in oil passage, which has high strength and good toughness; The rotating motor adopts the Swiss imported motor, which rotates in full angle; The oil cylinder adopts honing tube and imported NOK oil seal, short working cycle and long life; The knife block is made of wear-resistant alloy steel, which is resistant to high temperature and deformation.



Item/Model 项目/型号	Suitable Excavator (ton) 适用挖掘机	Weight(kg) 重量	Opening(mm) 开口	Blade Length (mm) 刀片长度	Driving Pressure (bar) 驱动压力	Driving Flow (lpm) 驱动流量	Cutting Force (Ton) 切削力
JSS50	3-5	200	250	4*120	200	40-60	30
JSS80	6-10	365	376	6*110	250	80-150	80
JSS180	12-18	1000	480	6*140	300	150-200	150
JSS280	22-27	2000	600	2*210	340	200-250	240
JSS380	28-36	3020	650	2*210	340	250-300	300

双缸大力剪 Double cylinder shear

适用对象:钢架结构和汽车大梁的切割及破碎,废旧汽车、废旧金属制品的拆解工作。

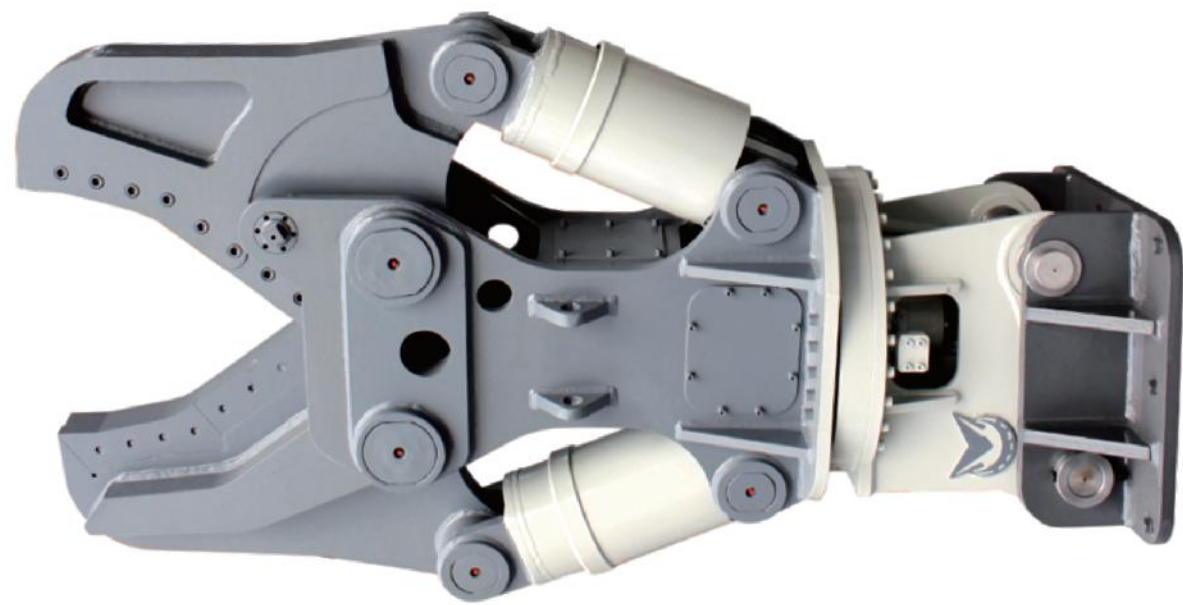
主要特点:采用双油缸和同步机构,强大剪切力与轻重量的组合;旋转马达采用瑞士进口马达,全角度旋转;油缸采用珩磨管,进口NOK油封,工作周期短、寿命长;刀块采用耐磨合金钢,抗高温、耐变形。

Applicable objects: cutting and crushing of steelframe structures and automobile beams, dismantling of scrap automobiles and scrap metal products.

Main features: Double oil cylinders and synchronization mechanism are adopted, combining strong shearing force and light weight. The rotating motor adopts the Swiss imported motor, which rotates in full angle;

The oil cylinder adopts honing tube and imported NOK oil seal, short working cycle and long life;

The knife block is made of wear-resistant alloy steel, which is resistant to high temperature and deformation.



三角破碎锤 Side type hydraulic breaker



Item/Model 项目/型号	Suitable Excavator (ton) 适用挖掘机	Weight(kg) 重量	Blade Length (mm) 刀片长度	Working Pressure (bar) 工作压力	Length(mm) 长度	Opening(mm) 开口	Cut Depth(mm) 切割深度	Shear Force (kn) 剪切力
JSD280	22-27	2650	400*260	320	2380	855	685	1360
JSD380	28-36	3850	350*360	330	2700	780	650	2940
JSD480	37-45	4540	350*360	330	3655	780	650	2940

Item/Model 项目/型号	Weight(kg) 重量	Length(mm) 长度	Pressure(bar) 压力	Flow(lpm) 流量	Rate(bmp) 频率	Hose(inch) 软管直径	Chisel(mm) 钎杆直径	Suit(ton) 适配
JSB100S	105	900	90-120	15-25	900-1400	1/2	40	0.8-2.0
JSB200S	135	1100	90-120	20-40	700-1200	1/2	45	1.2-3.0
JSB300S	150	1200	90-120	25-50	600-1100	1/2	53	2.5-4.5
JSB400S	300	1347	110-140	40-70	500-900	1/2	68/70	4-7
JSB600S	410	1528	110-160	50-90	500-800	1/2	75	6-9
JSB800S	450	1920	120-170	60-100	400-700	3/4	85	7-14
JSB900S	800	2260	150-170	80-120	400-700	3/4	100	11-16
JSB1600S	1600	2695	160-180	120-160	400-700	1	135	19-26
JSB1900S	1840	2810	160-180	130-170	400-600	1	140	19-26
JSB3500S	2800	3152	160-180	170-220	250-400	1	155	28-40
JSB4500S	3200	3310	160-180	200-300	250-350	1 1/4	165	36-45
JSB5000S	4000	3400	160-180	210-290	200-350	1 1/4	175	40-55
JSB5500S	5000	3400	180-220	220-300	200-250	1 1/4	185	50-60
JSB6000S	5700	3420	200-240	230-320	150-200	1 1/4	195	55-65
JSB6500S	6200	3700	200-240	360-450	150-200	1 1/4	205	65-100

直角破碎锤 Top type hydraulic breaker



静音破碎锤 Box type hydraulic breaker

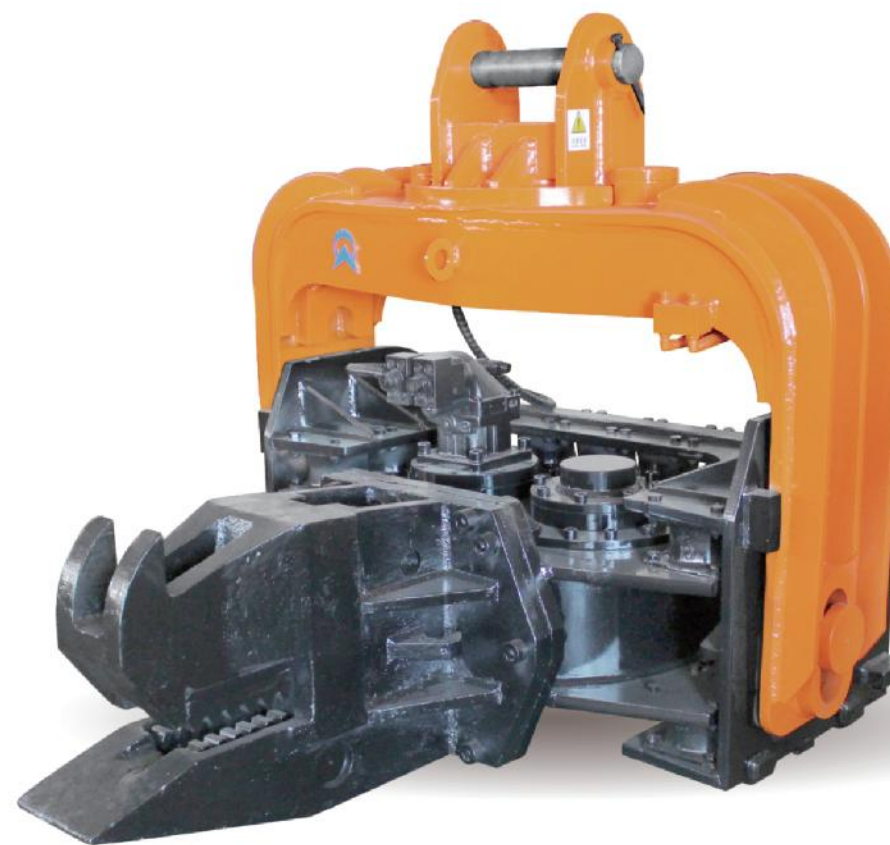


Item/Model 项目/型号	Top Type weight (kg) 直角式重量	Box Type Weight (kg) 直角式重量	Length(mm) 长度	Pressure(bar) 压力	Flow(lpm) 流量	Rate(bmp) 频率	Hose(inch) 软管直径	Chisel(mm) 钎杆直径	Suit(ton) 适配
JSB100	85	100	100	90-120	15-25	900-1400	1/2	40	0.8-2.0
JSB200	140	167	1300	90-120	20-40	700-1200	1/2	45	1.2-3.0
JSB300	160	194	1400	90-120	25-50	600-1100	1/2	53	2.5-4.5
JSB400	355	363	1700	110-140	40-70	500-900	1/2	68/70	4-7
JSB600	440	450	1750	110-160	50-90	500-800	1/2	75	6-9
JSB800	640	730	2100	120-170	60-100	400-700	3/4	85	7-14
JSB900	900	970	2400	150-170	80-120	400-700	3/4	100	11-16
JSB1600	1800	1950	2700	160-180	120-160	400-700	1	135	19-26
JSB1900	1970	2050	2860	160-180	130-170	400-600	1	140	19-26
JSB3500	2850	3000	3100	160-180	170-220	250-400	1	155	28-40
JSB4500	3160	3300	3286	160-180	200-300	250-350	1 1/4	165	36-45
JSB5000	4120	4250	3800	160-180	210-290	200-350	1 1/4	175	40-55
JSB5500	4800	4900	3700	180-220	220-300	200-250	1 1/4	185	50-60
JSB6000	5300	5400	4200	200-240	230-320	150-200	1 1/4	195	55-65
JSB6500	7200	7400	4300	200-240	360-450	150-200	1 1/4	205	65-100

打桩机 Pile hammer

挖掘机滑臂是由由上滑动臂与下固定臂两部分构成，通过伸缩缸的伸缩来推动上滑动体前后自由伸缩，适用于地铁、顶管、沉井的挖掘。首创的双限位设计，减少滑臂的运行振动，提升油缸的使用寿命；滑动装置由以前的滑轮设计更改为滑块设计，降低故障率，同时采用的耐磨橡胶滑块更加容易更换与维护。

The excavator boom is composed of an upper sliding arm and a lower fixed arm. The upper sliding body is freely extended and retracted by the telescopic cylinder, which is suitable for the excavation of subways and pits. The pioneering double-limit design reduces the running vibration of the boom and improves the service life of the cylinder. The sliding device has been changed from the previous pulley to the sliding block, which reduces the failure rate, and the wear-resistant rubber sliding block is more easily replaced and maintained.



Item/Model 项目/型号	Suitable Excavator (ton) 适用挖掘机	Eccentric Moment (nm) 偏心力矩	Frequency (rpm) 频率	Centrifugal Force (kn) 离心力	Working Pressure (bar) 工作压力	Working Flow (lpm) 工作流量	Max Turning (degree) 最大旋转角度	Weight Main Body(kg) 重量主机	Weight Extension Boom(kg) 重量附臂	Weight Total Weight(kg) 重量总重
JSP150	12-17	32	2500	172	300	120	180	1300	260	1560
JSP250	18-25	36	2800	265	300	155	180	1900	400	2300
JSP330	30-40	50	2800	420	320	168	180	2650	650	3300
JSP350	40-50	65	2800	580	320	210	180	2900	650	3550
JSP450	40-65	85	2800	750	320	255	180	3000	650	3650